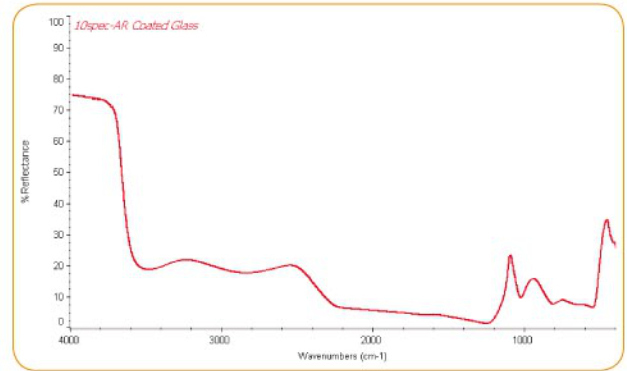


10Spec – Near-normal Sample Reflectivity Measurements



FTIR spectrum measuring the reflectivity of glass with the 10Spec.

The PIKE Technologies 10Spec is an optimized specular reflectance accessory designed to make high-performance measurements of sample reflectivity. It produces a collimated beam to illuminate the sample area such that the reflectivity measurement is made at a uniform 10 degree angle of incidence and not an average of angles produced by a focused beam accessory design. At a near-normal angle, the polarization effects on reflectivity are minimized. The optics are enclosed to allow for purging.

The 10Spec is recommended to measure the reflectivity of glass. It may also be used to measure near-normal reflectivity of a wide variety of surfaces including military devices, reflecting optics, anti-reflective (AR) coated surfaces, and other reflecting and non-reflecting materials.

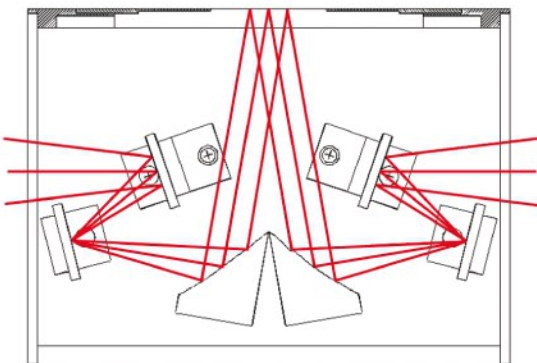
The 10Spec is available in two versions. The standard version is 118-mm tall whereas the Extended Height 10Spec is 205-mm tall, which positions the sample above the top of the FTIR instrument. The Extended Height 10Spec is designed to accommodate samples that are too large to fit within the confinements of the sample compartment.

FEATURES

- Measure sample reflectance
- Fixed 10 degree angle of incidence
- Sample illumination using collimated beam precisely fixed at 10 degrees
- Sampling mask sizes of 2", 5/8" and 3/8"
- Purge cover and purge tubes for removal of atmospheric interferences
- Extended Height 10Spec to accommodate large samples

SPECIFICATIONS

Optics	All reflective
Angle of Incidence	10 degrees
Sample Masks	2", 5/8" and 3/8"
Purge Sealing	Purge tubes and purge barb included
Dimensions (W x D x H)	
Standard	159 x 90 x 118 mm (excludes baseplate)
Extended Height	159 x 90 x 205 mm (excludes baseplate)
FTIR Compatibility	Most, specify model and type



Beam path within the 10Spec specular reflectance accessory.

ORDERING INFORMATION

PART NUMBER	DESCRIPTION
010-10XX	10Spec – 10 Degree Specular Reflectance Accessory Includes 3 sample masks (2", 5/8" and 3/8"), gold substrate alignment mirror and FTIR base mount
010-11XX	Extended Height 10Spec Accessory Includes 3 sample masks (2", 5/8" and 3/8"), gold substrate alignment mirror and FTIR base mount

Note: Replace XX with your spectrometer's Instrument Code. [Click for List >](#)

10SPEC REPLACEMENT PARTS AND SAMPLING OPTIONS

PART NUMBER	DESCRIPTION
010-3010	Specular Mask Set
300-0002	Gold Substrate Alignment Mirror (1.25" x 3.0")